

TRIDENT SIPHON FILTER

Trident siphon filter with skimmer overflow and retention siphon



PRODUCT DESCRIPTION

Trident filters are a highly efficient dynamic rainwater filter, ensuring that a maximum volume of water passes through the filter and into the tank. The filter acts as the first step in the rainwater treatment process and has the capability to reduce the overall lifetime cost of the entire rainwater harvesting system.

With a range of pre-tank filters and tank filters with skimmers, Trident filters are flexible to suit in almost any tank; improving tank life, reducing maintenance and capable of handling high volume harvesting needs.

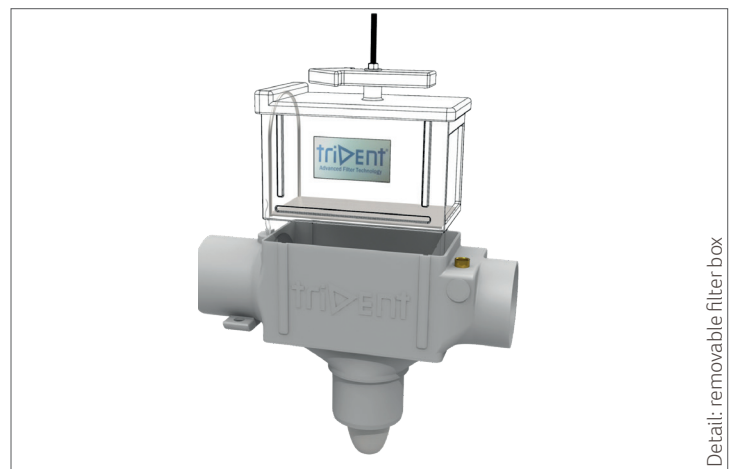
- +90% Efficiency 700µm
- Rapid separation of waste and clean water
- Dirt resistant and large effective filter grid
- Automatic cleaning reduces maintenance required
- Ideal for rainwater harvesting

APPLICATION AREA

The siphon filter is intended to combine rain water usage and retention (temporary buffering) in a rain water tank. The Trident siphon filters are suitable for filtering rain water from roofs of homes or buildings with a roof surface up to 325 m² (based on 300 litres/sec/ha). There are 2 different types available that distinguish themselves by their connection diameter of Ø 110 or Ø 125. The filters must be built into a rain borehole or attached to a top unit between the supply and discharge of a rain borehole. The Trident siphon filter must be installed in a rain borehole or attached to a top unit and is, as such not resistant to soil pressure. The filter box is detachable for the purpose of inspecting the filter plate.

TECHNICAL DATA

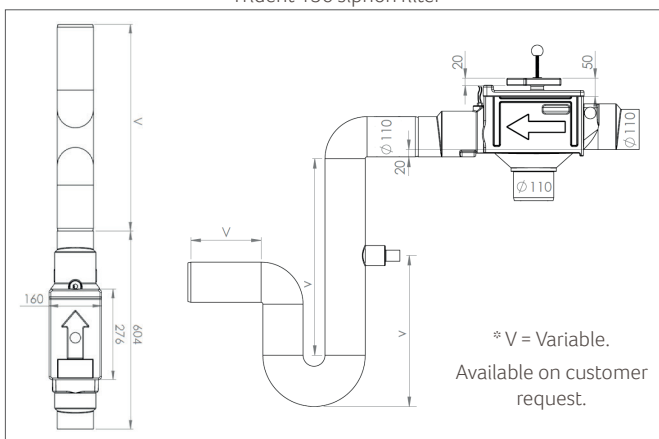
	150	325
Height in mm:	335	335
Width in mm:	160	160
Length in mm:	608	485
Height difference of the supply in mm:	20	20
Connection waste water in/out in mm:	Ø110	Ø125
Clean water out in mm:	Ø110	Ø110
Weight in kg:	ca. 5.2	ca. 5.2
Size of cover in cm:	27 x 13	27 x 13
Material housing:	PE	PE
Material filter grid:	RVS	RVS
Connection filter cleaner (optional):	1/2"	1/2"



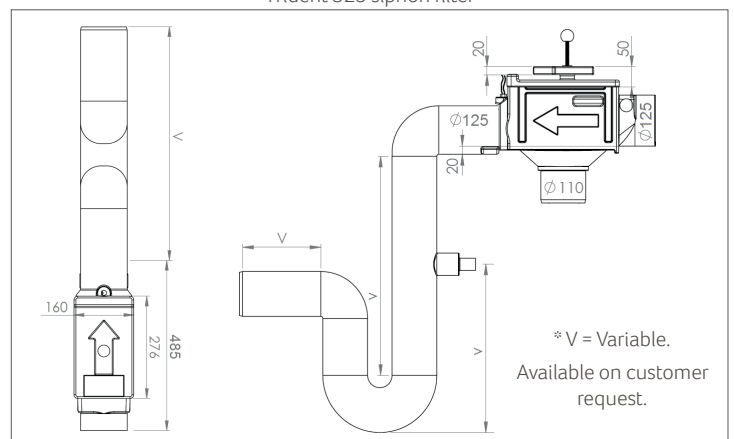
Detail: removable filter box

TECHNICAL DRAWING

Trident 150 siphon filter



Trident 325 siphon filter



OPTIONS

Nozzle set for Trident 150, 325 and 450 tank filter

Allows easy and automatic cleaning of the filter. The nozzle cleans the filter surface by means of water pressure via a special powerful brass cone nozzle (see 1).

Automatic time-controlled filter cleaner 1/2''

Time-controlled filter cleaner makes automatic filter cleaning possible. The nozzle sprays the filter surface at freely adjustable times clean.

Fine filter bag

The fine filter bag can be placed under the Trident filter plate. The fine filter bag filters very finely to a mesh size of 150 µm. This fine filter can be used in places where high demands are placed on the water quality. (see 2)

Backflow alarm for Trident filters

The filter can be equipped with an alarm sensor that flows back from the overflow signals. This alarm sensor can be connected on an IRM rainwater system that switches to drinking water as an alarm signal comes from the sensor. This will contaminate sanitary appliances, pump and pipes (see 3).

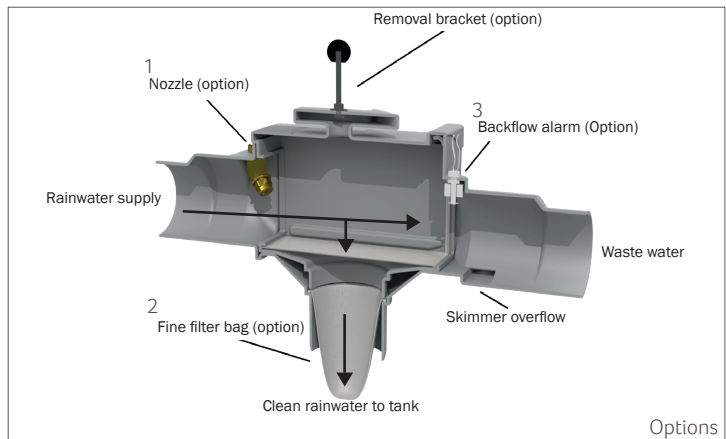
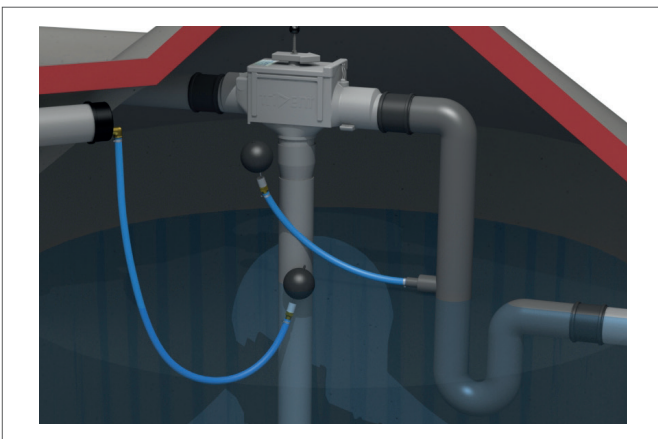
Rat valve stainless steel

Stainless steel rat valve can be used in the Trident 150 and 325 tank filter. be edited. Prevents ingress of vermin from the overflow to sewer or surface water (see 4)

Check valve for Trident 150 tank filter

Valve to place behind the filter in the drain. Plug-in model, suitable for 110 mm pipe pieces. Reduced the risk of backstopping from the overflow towards the tank. Material polypropylene black, provided of flexible rubber lining.

TECHNICAL OVERVIEW



DELIVERY

Product consist of: filter housing, filterbox, Trident filter grill with removal bracket, siphon, connection for retention hose and installation instructions.

ORDER DETAILS

Art nr	NAME	PG
401128	Trident 150 siphon filter with skimmer overflow	2
401129	Trident 325 siphon filter with skimmer overflow	2
401151	Nozzle set for Trident 150, 325 and 450 tank filter	2
401155	Automatic time-controlled filter cleaner 1/2''	2
401157	Fine filter bag	2
401158	Backflow alarm for Trident filters	2
401369	Removal bracket for filterbox	2
401165	Check valve for Trident 150 tank filter	2



1: Nozzle set